

LOADMASTER™

906.563.9226

www.loadmaster.org



Elite

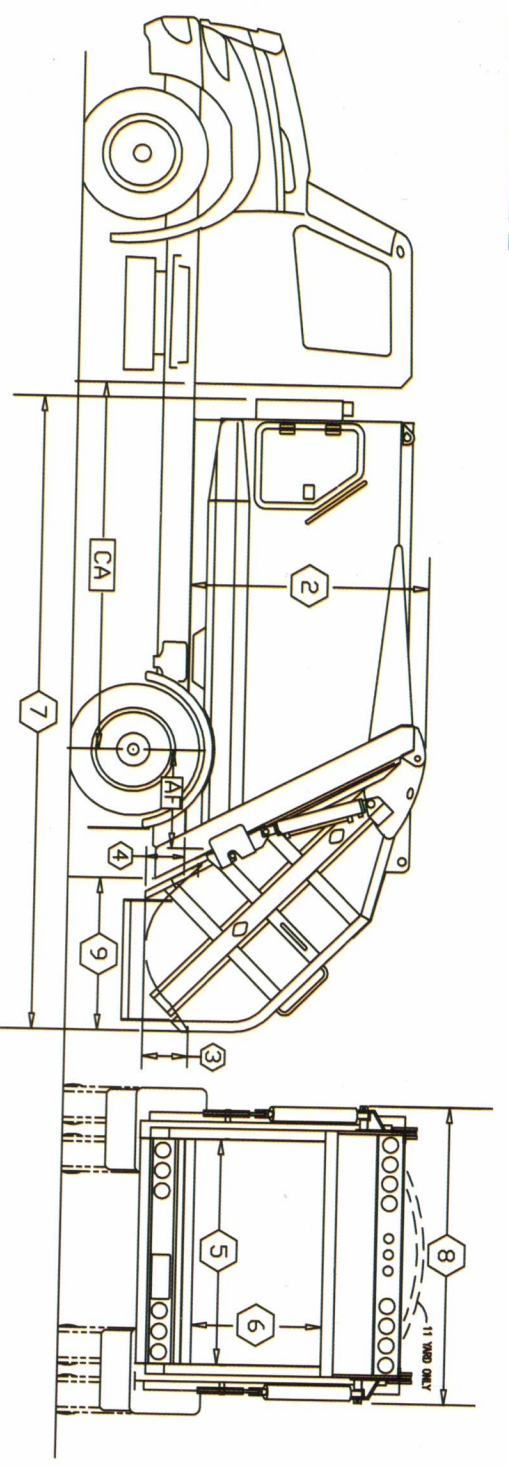
LOADMASTER™

906.563.9226

www.loadmaster.org



Elite



Dimensional Specifications

1	Available Body Volumes	6 yd	8 yd	10 yd	11 yd
2	Height Above Chassis Frame	69 3/4"	69 3/4"	69 3/4"	73 1/4"
3	Depth of Hopper	13"	13"	13"	13"
4	Hopper Below Chassis Frame	11"	11"	11"	11"
5	Hopper Inside Width	66"	66"	66"	66"
6	Hopper Opening Height	41"	41"	41"	41"
7	Overall Length	161 3/4"	185 3/4"	209 3/4"	209 3/4"
8	Overall Width	85 1/2"	85 1/2"	85 1/2"	85 1/2"
9	Rear of Body to Rear of Tailgate	44 3/4"	44 3/4"	44 3/4"	44 3/4"
10	Approximate Body Weight (lbs.)	7,200	7,700	8,200	8,500
11	Load Sill Below Chassis Frame	2"	2"	2"	2"
12	Hopper Capacity	1 yd	1 yd	1 yd	1 yd
13	Height Above Frame (With Gate Raised)	118	118	118	118

Chassis Notes

All chassis must have aft of rear axle fuel tank. It is the dealers responsibility to make sure to order aft of rear axle fuel tank. If a truck arrives at Loadmaster the dealer will be charged.

For the Elite 8 the Isuzu wheelbase 132.5" is the correct wheelbase, and horizontal exhaust is needed.

For the Elite 6 the Isuzu wheelbase 132.5" is the workable Isuzu wheelbase there will be a significant cab gap this space can be taken up by the vehicle exhaust or a tool box.



Loadmaster's dedication to customer service and satisfaction means we will modify and customize options and features to meet the unique demands of any customer's route. To learn more about what Loadmaster can do for you, give your local dealership a call.

Chassis Recommendations

Body Size	Min. GVWR	CA	Min. AF
6 yd	17,000	85"	34"
8 yd	21,000	108"	34"
10 yd	25,500	134"	34"
11 yd	25,500	134"	34"

Standard Material Specifications

Body Sides	10 gauge grade 80
Body Floor	3/16" gauge
Body Roof	10 gauge grade 80
Floor Longitudinals	3" x 8" x 3/16" boxed channel
Ejector Track channel	1/4" elevated channel
Lower Tailgate Sides	3/16" T-1
Upper Tailgate Sides	10 ga grade 80
Hopper Floor	3/16" T-1
Separator Panel	3/16" T-1 abrasion resistant
Ejector Face Panel	10 ga high tensile UHMW
Ejector Shoes	3/16" T-1 alloy
Sweep Face Panel	7 gauge Grade 80
Slide Face Panel	Nylatron NSM & UHMW
Slide Blade Shoes	