

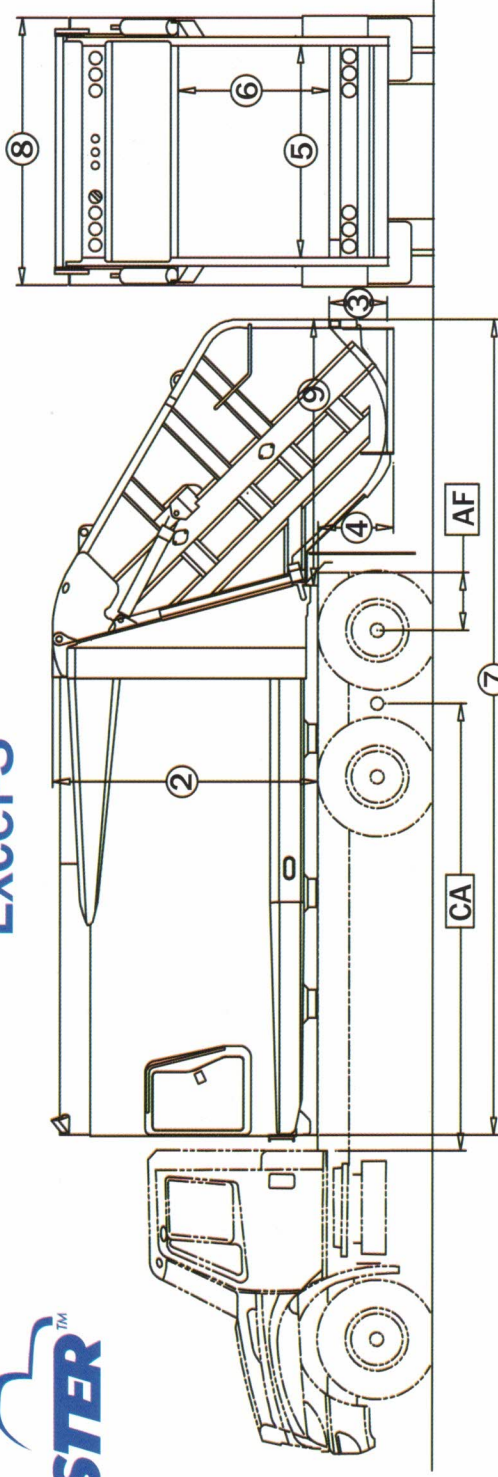
Excel & Excel-S



LOADMASTER

TM www.loadmaster.org

906.563.9226



Dimensional Specifications

1	Available Body Volumes	S 20 yd	S 25 yd	S 27 yd	S 31 yd	S 31 yd	S 31 yd
2	Height Above Chassis Frame	93 1/2"	93 1/2"	93 1/2"	93 1/2"	93 1/2"	93 1/2"
3	Depth of Hopper	20 1/4"	20 1/4"	20 1/4"	20 1/4"	20 1/4"	20 1/4"
4	Hopper Below Chassis Frame	24 1/4"	24 1/4"	24 1/4"	24 1/4"	24 1/4"	24 1/4"
5	Hopper Inside Width	75"	75"	75"	75"	75"	75"
6	Hopper Opening Height	60"	60"	60"	60"	60"	60"
7	Overall Length	262"	288"	301"	328"	340"	340"
8	Overall Width	95 3/4"	95 3/4"	95 3/4"	95 3/4"	95 3/4"	95 3/4"
9	Rear of Body to Rear of Tailgate	94"	94"	94"	94"	94"	94"
10	Approximate Body Weight (lbs.)	15,100	16,000	16,400	17,200	17,500	17,500
11	Load Sill Below Chassis Frame	4"	4"	4"	4"	4"	4"
12	Hopper Capacity	3.7 yd	3.7 yd	3.7 yd	3.7 yd	3.7 yd	3.7 yd
13	Height Above Frame (With Gate Raised)	184	184	184	184	184	184

Standard Material Specifications

- Body Sides
- Body Floor
- Body Roof
- Floor Longitudinals
- Ejector Track channel
- Lower Tailgate Sides
- Upper Tailgate Sides
- Hopper Floor
- Separator Panel
- Ejector Face Panel
- Ejector Shoes
- Sweep Face Panel
- Slide Face Panel
- Slide Blade Shoes

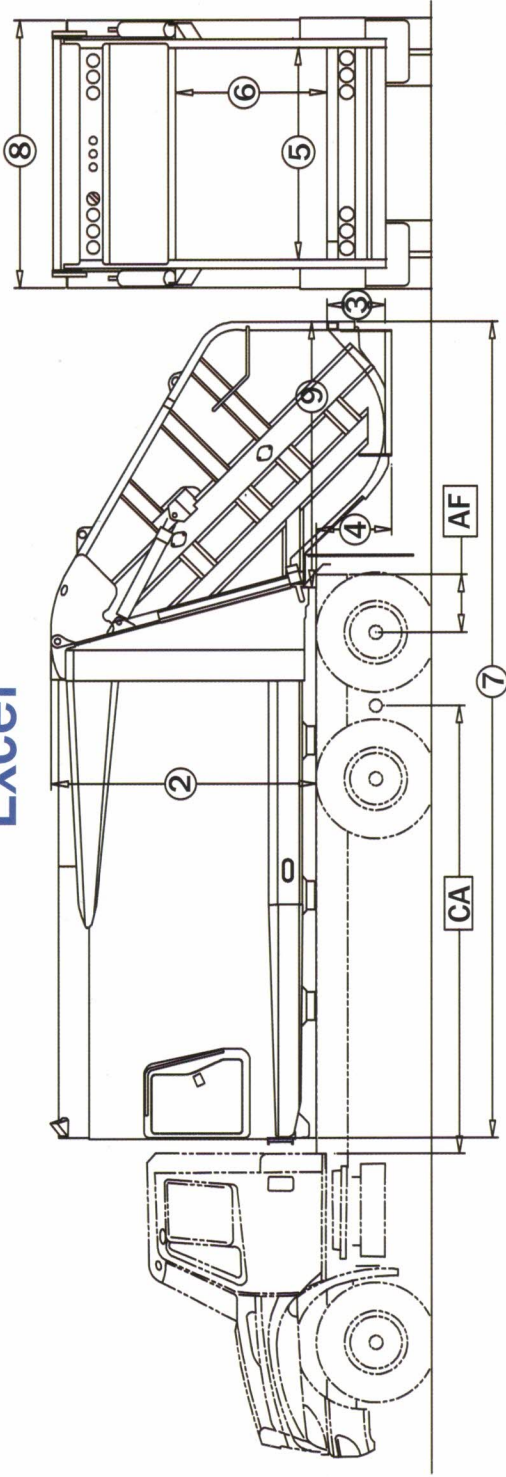
- 8 gauge grade 80
- 3/16"
- 8 gauge grade 80
- 3" x 8" x 1/4" boxed channel
- 1/4" elevated channel
- 3/16" T-1
- 3/16" in sweep zone
- 10 gauge above
- 1/4" T-1
- 3/16" T-1 abrasion resistant
- 3/16" Grade 50
- Nylatron GSM
- 1/4" T-1 alloy
- 3/16" Grade 80
- Nylatron NSM and UHMW

Chassis Recommendations

Body Size	Min. GVWR	Min. Front AWR	Min. Rear AWR	CT	Min. AF
S 20 yd	46,000	12,000	34,000	132"	26"
S 25 yd	52,000	12,000	40,000	158"	26"
S 27 yd	54,000	12,000	42,000	170"	26"
S 31 yd	60,000	16,000	44,000	192"	26"
S 33 yd	62,000	18,000	44,000	204"	26"

Loadmaster's dedication to customer service and satisfaction means we will modify and customize options and features to meet the unique demands of any customer's route. To learn more about what Loadmaster can do for you, give your local dealership a call.

Excel



Dimensional Specifications

Available Body Volumes	20 yd	25 yd	31 yd
Height Above Chassis Frame	93 1/2"	93 1/2"	93 1/2"
Depth of Hopper	20 1/4"	20 1/4"	20 1/4"
Hopper Below Chassis Frame	24 1/4"	24 1/4"	24 1/4"
Hopper Inside Width	75"	75"	75"
Hopper Opening Height	60"	60"	60"
Overall Length	274"	304"	351"
Overall Width	95 3/4"	95 3/4"	95 3/4"
Rear of Body to Rear of Tailgate	94"	94"	94"
Approximate Body Weight (lbs.)	15,100	16,000	17,200
Load Sill Below Chassis Frame	4"	4"	4"
Hopper Capacity	3.7 yd	3.7 yd	3.7 yd
Height Above Frame (With Gate Raised)	184	184	184

Chassis Recommendations

Min. GVWR	Min. Front AWR	Min. Rear AWR	CT	Min. AF
46,000	12,000	34,000	140"	26"
52,000	12,000	40,000	174"	26"
60,000	16,000	44,000	208"	26"

Standard Material Specifications

- Body Sides
- Body Floor
- Body Roof
- Floor Longitudinals
- Ejector Track channel
- Lower Tailgate Sides
- Upper Tailgate Sides
- Hopper Floor
- Separator Panel
- Ejector Face Panel
- Ejector Shoes
- Sweep Face Panel
- Slide Face Panel
- Slide Blade Shoes

- 8 gauge grade 80
- 7 gauge
- 8 gauge grade 80
- 3" x 8" x 1/4" boxed channel
- 1/4" elevated channel
- 3/16" T-1
- 3/16" in sweep zone
- 10 gauge above
- 1/4" T-1
- 3/16" T-1 abrasion resistant
- 10ga high tensile
- UHMW main shoes Nylatron GSM
- 1/4" T-1 alloy
- 7 gauge Grade 80
- Nylatron NSM & UHMW

Loadmaster's dedication to customer service and satisfaction means we will modify and customize options and features to meet the unique demands of any customer's route. To learn more about what Loadmaster can do for you, give your local dealership a call.